

 **MARSHAL**®



CHILLED WATER DECORATIVE FCU

AIR CONDITIONERS

Capacity 2-13KW

3FCHA -50Hz

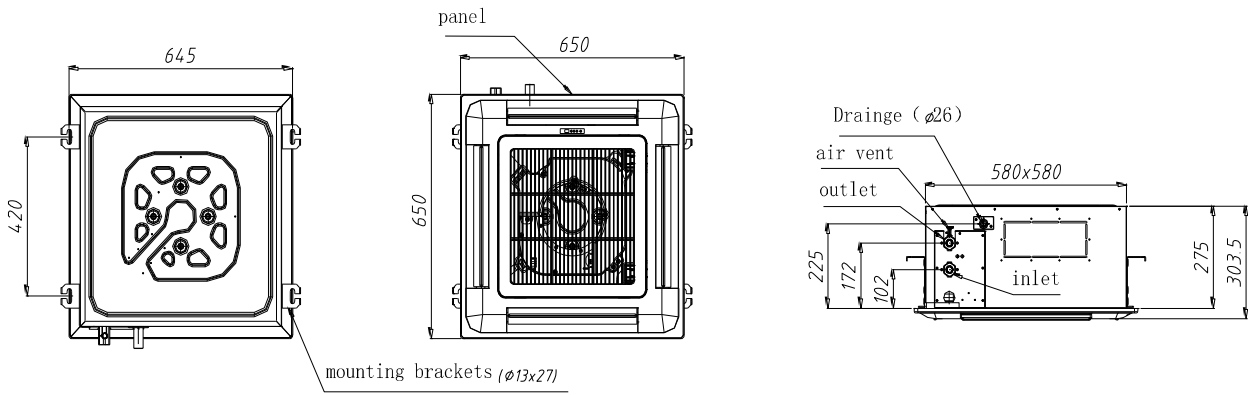


Technical data (3FCHA Cassette FCU)													
3FCHA			07	10	13	15	17	20	25	33	40	45	
Air flow	H	m3/h	340	510	680	800	850	1020	1360	1700	2040	2380	
	M		255	380	510	600	635	765	1020	1275	1530	1785	
	L		170	255	340	400	425	510	680	850	1020	1190	
Cooling Cap.	Total	H	kW	2.12	3.09	3.94	4.32	5	5.87	7.32	9.59	11.46	13.04
		M		1.7	2.6	3.2	3.5	4.1	4.9	6.2	8.0	9.6	11.0
		L		1.3	1.9	2.4	2.6	3.1	3.6	4.7	6.1	7.2	8.3
	Sensi ble	H	kW	1.4	2.2	2.7	2.9	3.5	4.1	5.2	6.8	8.0	9.2
		M		1.2	1.7	2.2	2.4	2.8	3.3	4.2	5.5	6.4	7.5
		L		0.8	1.3	1.6	1.8	2	2.4	3.1	4.0	4.8	5.5
Heating Cap.	H		3.37	4.81	6.21	7.01	7.66	9.62	12.42	15.47	17.43	20.16	
	M		2.7	3.8	5	5.6	6.1	7.6	9.9	12.3	14	16.2	
	L		1.9	2.7	3.6	4.1	4.4	5.5	7.1	8.9	10.1	11.7	
Water flow rate		m3/h	0.366	0.534	0.678	0.744	0.858	1.008	1.260	1.650	1.974	2.244	
Noise level		dB(A)	35/32/29	39/36/33	41/38/35	44/40/36	40/35/31	45/40/36	46/41/37	44/37/34	48/42/36	52/46/39	
Power supply	AC 1φ-220V-50Hz												
Power input		W	35	49	58	70	72	94	130	149	183	220	
Running current		Amp	0.16	0.22	0.26	0.32	0.33	0.43	0.59	0.68	0.83	1.0	
Water pressure drop		kPa	16.2	20.8	28.2	36.3	21.5	25.4	35.9	33.6	40	47.2	
Drain pipe conn.		∅	26										
Unit casing dimension	L	mm	580				750			950			
	W	mm	580				750			950			
	H	mm	275				290			290			
Panel cover dimension		mm	650*650*28.5				850*850*28.5			1050*1050*28.5			
Water conn.	inlet	Inch	3/4" FPT										
	outlet	Inch	3/4" FPT										

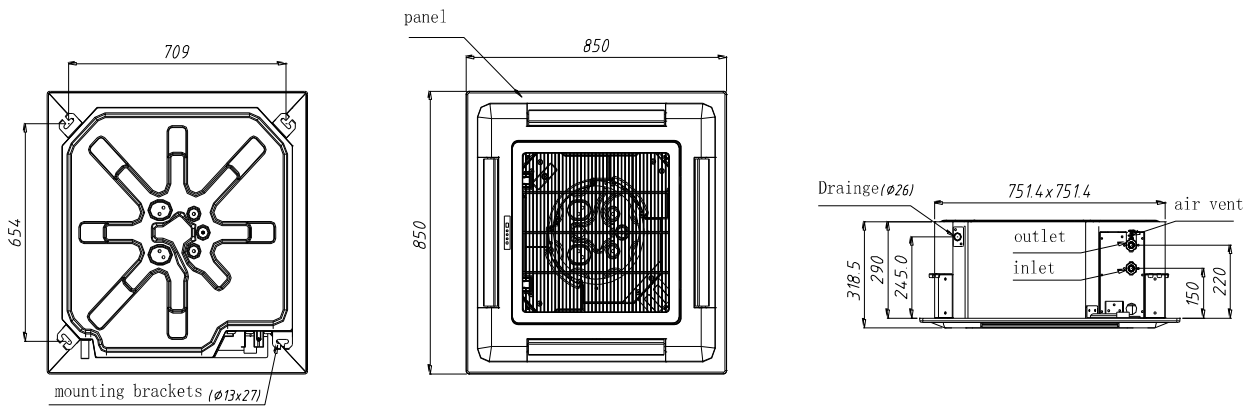
- Note:
1. The above cooling capacity is under entering air temp 27°C DB/19.5 °C WB, chilled water inlet 7°C and water temperature difference is 5°C
 2. The above heating capacity is under entering air temp 21°C DB and heating water inelt temp 60°C, water flow and air flow same as cooling mode
 3. The above noise level is tested under back ground(<17dB(A))
 4. LPM: Liter per min., 1LPM=0.06m3 /h.
 5. The max current for the Motorized valve is 2A

Unit Outline Dimension(mm):

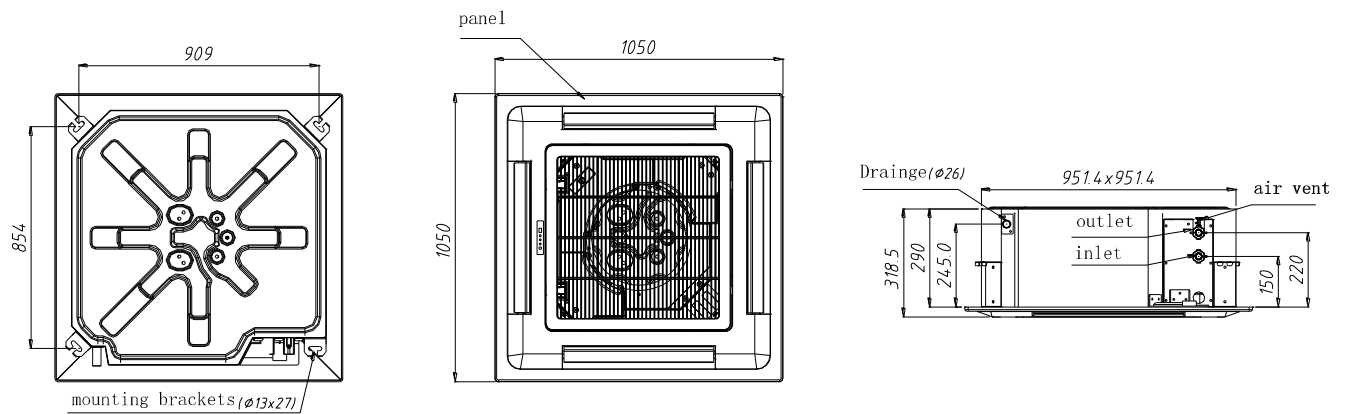
3FCHA07/10/13/15



3FCHA17/20/25



3FCHA33/40/45



AUTHORISED DISTRIBUTORS



16 St, Abdelaziz Eissa Block 35
Ninth Region, Nasr City ,Egypt
Tel. :+2 02-2473-2550
E-mail : Info@ebaircondition.com



AWAL GULF WORLDWIDE



EBA

APPROVALS QUALITY ASSURANCE



Tel: +973 1773 8333 | Fax: +973 1773 1541/1529
P.O. Box 15919, Manama, Kingdom of Bahrain
Email: export@awalgulf.com.bh | Website: www.awalgulf.com

in @ f t v awalgulfmanufacturing

